

For Immediate Release

PUBLIC RELATIONS CONTACT:

Masha Lakhter

Masha@keydigital.com

Phone: 914-667-9700 ext. 211

Cell: 917-701-3238

Fax: 914-668-8666

Key Digital Provides an Audio Management Solution via our Digital IQ Series HDMI Matrix Switchers



Mount Vernon, NY. Key Digital Systems, Inc. – June 13, 2012 – Key Digital is proud to announce a solution to the problem of managing audio via an HDMI Matrix switcher.

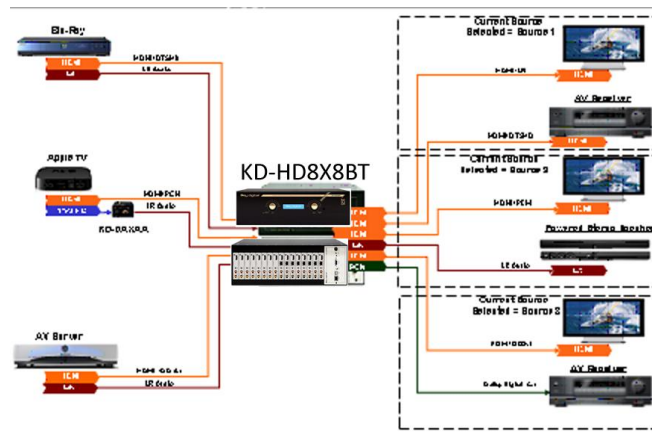
With the proliferation of a wide variety of audio formats and the increased demand to be able to utilize all of these various formats, it is becoming increasingly difficult to both manage all of these formats and preserve the best audio quality for the end user. Digital IQ series HDMI matrix switchers such as Key Digital's brand new **KD-HD8X8BT** are uniquely capable in this capacity. Key Digital's Digital IQ series model **KD-HD8X8BT** HDMI matrix switcher supports HDBaseT and can be used with the FatCat Series™ model **KD-CATHD500** HDBaseT HDMI balun kit.

Let us assume you use **KD-HD8X8BT** in three zones with different characteristics:

1. Zone with a flat screen TV with built-in stereo speakers. For this zone you will need HDMI with a stereo audio signal.
2. Home theater zone with the latest 7.1 channel AV receiver, speakers, and flat screen TV
3. Home theater zone with an older non-HDMI 5.1 AV receiver capable of Dolby Digital with flat screen TV

KD-HD8X8BT can satisfy all of these zoning requirements with the help of the EDID control feature.

For Zone 1, the installer would make sure that L/R stereo audio is available from every source. On output 1 you would program that output to insert PCM stereo into the HDMI signal instead of any other audio format. The PCM stereo is created and outputted in place of L/R stereo inside the switcher.



For Zone 2, you would pass the HDMI signal (containing authentic audio) with its highest [quality] available audio format. For sources sending DTS-HD, DTS-HD would be the preferred audio format for this zone. The flat screen TV can be connected to the HDMI output for the AV receiver associated with this zone.

For Zone 3, the HDMI output is programmed to insert Dolby Digital 5.1 surround sound. The PCM coaxial output will provide Dolby Digital to the AV receiver. This zone will only have audio

available from the AV receiver and speakers, the flat screen TV will ignore the Dolby Digital audio and display only video.

Key Digital® will be displaying Compass Control® at CEDIA 2012 – for more information [click here](#) or visit us at Booth #2046. Also please download the Compass Control® demo app by [clicking here](#).

Key Digital Industry Leadership



Mike Tsinberg, Founder and President of Key Digital, is a holder of 40 HDTV patents.

- “Father of DVD” - Developed architecture and system software for world first Digital Video Disk (DVD) MPEG2 based authoring system - key DVD enabling technology
- Participated with Emmy Award Winner for DVD technology development
- 2009 Inductee as one of the Top 200 Pioneers of HDTV by the Academy of DTV Pioneers (CEA)
- SMTPE Fellow

About Key Digital®

Key Digital is a CES award-winning developer and manufacturer of leading-edge technology for HDTV applications, delivering total video systems solutions. The company manufactures a wide range of digital video processing and video signal distribution solutions marketed broadly to the HDTV community, such as digital video and audio processors, switchers, distribution amplifiers, cables, adapters, and more. For more information, visit us at www.keydigital.com.